

8 Ports Full Gigabit PoE Managed Switch

L2 Management, 802.3af/at, Full Gigabit, 6KV Surge Immunity

BRX571M-GE08-4GUP



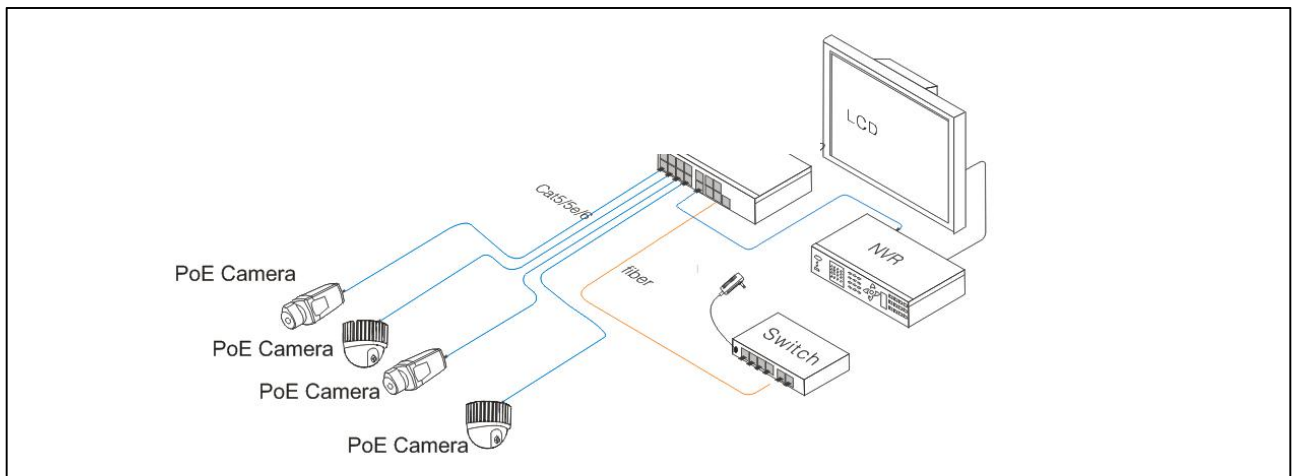
- Provide 8* 10/100/1000Base-T Ethernet ports(PoE), 4* 10/100/1000BASE-T Ethernet ports and 2* gigabit SFP ports(Combo);
- Buffer reaches 4Mbit, Support 4K high-definition video transmission;
- PoE function: support IEEE802.3 af/at standard, each port supports max. 60W PoE output;
- Support Web-based network management, support VLAN, QoS, RSTP, SNMP etc. network function;
- One-key CCTV, 1~8 downlink ports only can communicate with uplink ports in CCTV mode, which can restrain network storm;
- 6KV surge immunity, 8KV ESD protection and anti-interference ability;
- Quick installation, easy operation, convenient for desktop and standard 19-inch rack installation.



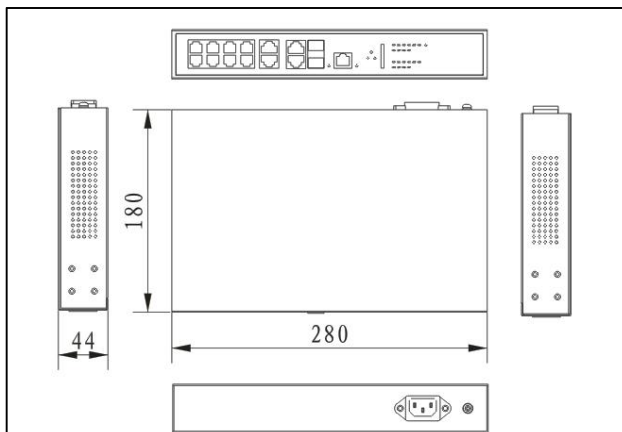
Introduction

BRX571M-GE08-4GUP with 8 Gigabit PoE+ Ethernet ports, 4 Gigabit uplink Ethernet ports, and 2 Gigabit optical SFP ports (Combo ports) is a full Gigabit managed Ethernet Switch. The switch provides up to 4Mbit cache, Support 4K high-definition video transmission. Besides, the 8 downlink PoE ports support IEEE802.3af/at standard. PoE output power of single port is up to 60W and total output power is up to 135W. It features total power display, one-key CCTV mode, Web-based PoE management, and L2 characteristics, such as VLAN, QoS, STP, etc. It fully satisfies the needs of security video surveillance and Ethernet project.

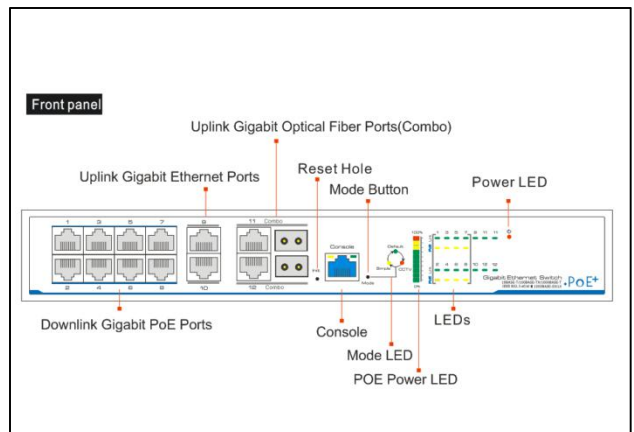
Application



Physical Features



Interface drawing



Parameter

Hardware Parameter

Model	BRX571M-GE08-4GUP
Downlink Ports	8* 10/100/1000Base-T (PoE)
Uplink Ports	4* 10/100/1000Base-T and 2* Gigabit SFP ports(Combo ports)
Network Standard	IEEE802.3 、IEEE802.3u、IEEE802.3ab、IEEE802.3Z、IEEE802.3X、IEEE 802.1Q IEEE 802.1p IEEE 802.3ad 、IEEE 802.1D、IEEE 802.1X
Bandwidth	24Gbps
Packet Transfer Rate	18Mpps
Exchange Way	Storage& Transfer
Buffer	4M
MAC Address	8K
PoE Standard	802.3af/at、60W PoE
PoE Power Supply	End-span
PoE Line Pair	1/2(+), 3/6(-)
PoE Output	PoE Output of Single port ≤60W (54V DC); PoE Output of Total Machine ≤135W (Default Port1 Output max. 60W, Port2~8 max. 30W Output. Can be changed via Web software)
Surge Immunity	6KV Per: IEC61000-4-5
ESD Protection	Contact Discharge 6KV, Air Discharge 8KV; Per: IEC61000-4-2
Input Voltage	100~240V AC; 50/60Hz
Power Consumption	<150W(Contain PoE)
Operation Temperature	-10°C~45°C
Storage Temperature	-40°C~85°C
Operation Humidity	5%-95%(Non-condensing)
Dimension(LxWxH)	280mm×180mm×44.5mm
Weight	1.5kg
Authentication	CE、FCC、ROHS

Software Parameter

Software Parameter	
Port Management	Support Port Enable/Disable;
	Support Port Rate Settings;
	Support Port Full-duplex Mode;
	Support IEEE802.3x Flow Control;
	Support Port Name Change;
VLAN	Support 4K VLAN
	Support 802.1Q Protocol-Based VLAN;
	Support Port-Based VLAN;

QoS	Support QoS;
	Support 8-Level Priority management for switching;
	Support WRR;
	Support 820.1P and DSCP Priority;
Multicast Management	Support SNMP V1/V2/V3 Protocol;
	Support IGMP Snooping;
POE Management	Support Total Power Consumption Control;
	Support PoE ON/OFF;
	Support Single Port 60W/30W max. Power Change and Port Output Priority;
Safety Character	Support IP、MAC、Port、VLAN Combination and Binding;
	Support MAC address auto-learning, aging& filter;
	Support Port Isolation, Port Speed-Limited;
	Support RSTP;
	Support 5 groups of 8-Port trunk;
	Support RADIUS Authentication& 802.1X Authentication;
System Management& Maintenance	Support WEB Management, CLR Settings and telnet Settings;
	Support CLR Settings;
	Support FTP/TFTP/HTTP Web Upgrading;
	Support Flow Calculate;
	Support MAC address Form Search;
	Support IP Address, DNS Server Change
	Support Username& Password Change;
	Support History Record, Journal management;
	Support System settings Backup;
	Support Factory Default Settings and Restart;

Package List

Item	Quantity
BRX571M-GE08-4GUP	1
AC Power Line	1
Accessory	1
User Manual	1