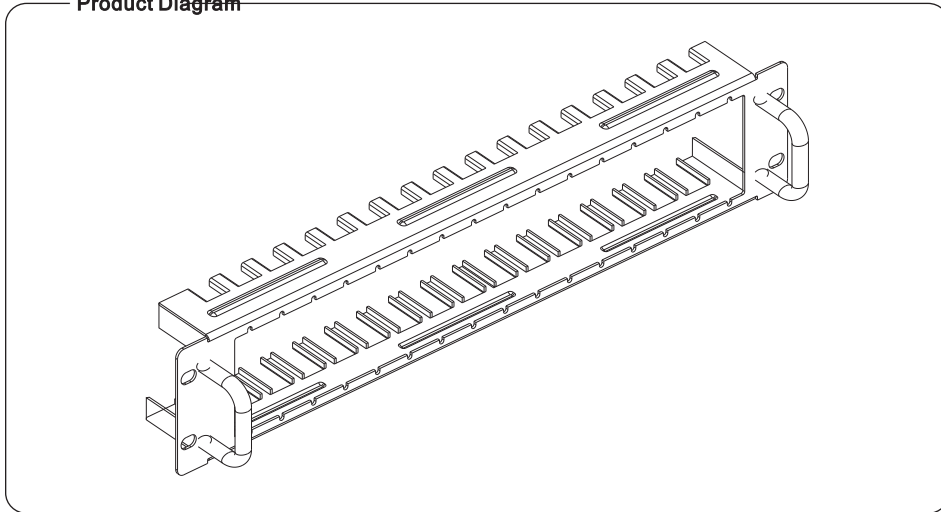


MIT Rack BRX101



MIT Rack Management is designed to manage different signal transmitter. It consists of rack body, left and right hand pendant, fixed slot and fixed screw. Comply with 2U standard, it can be installed in a standard cabinet. 16 MIT modules can be fixed in a rack and work together with integrated power supply system which can supply power for 16 MIT modules. With the features of highly integrated, easy to install, easy to maintain, it is very suitable for centralized management occasions.

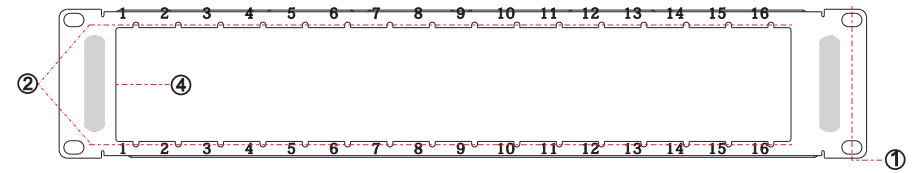
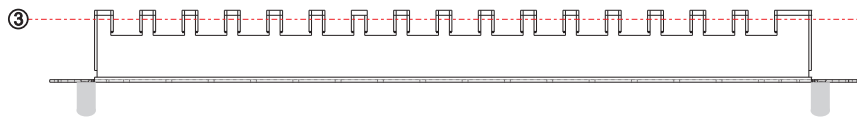
Product Diagram



Features

- Integration of various types of signal transmission device, convenient to centralized management;
- Humanized handle design, easy to install and disassemble;
- High hardness iron materials, Strong solid structure;
- Unified Power System, reduce the number of power deck;
- Nice shape, improve the quality of project;

Panel Diagram



Item	Component	Description
①	Server fixed hole	Screws through the rack can be fixed in the standard rack
②	Module fixing hole	MIT Series modules through the two holes with MIT rack
③	Rail	Compatible with guide slots of MIT series products; easy to install
④	Windows	MIT series interface modules

Supporting Device

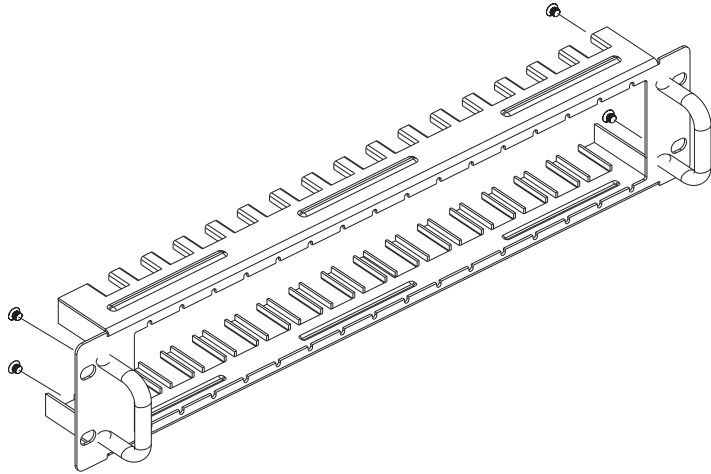
NO.	Name
1	Single channel active video receiver
2	4channel Passive Video Balun
3	10/100M Long Distance Network Extender
4	Single VGA Video/Audio UTP Transmitter
5	Single VGA Video/Audio UTP Receiver//up to100 meters
6	Single VGA Video/Audio UTP Receiver//up to300 meters
7	Single VGA Video/Audio UTP Receiver//up to300 meters
8	Active VGA Extender Over VGA Cable
9	Single channel HDMI transceiver/up to 60 meters
10	Single channel HDMI transceiver/up to 100 meters
11	Single channel HDMI optical fiber transceiver
12	HDMI to SDI Converter
13	SDI to HDMI Converter
14	Single Channel SDI Optical Fiber Transceiver
15	4-Port SDI Splitter
16	High Speed USB UTP Extender
17	Single channel Ethernet optical fiber transceiver

Installation Steps

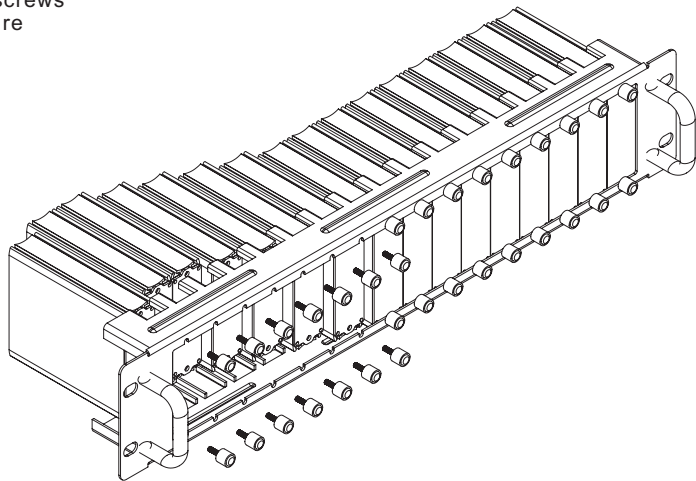
1. Check the following equipment and accessories, If there is a missing, please contact your supplier .

- MIT Rack 1 PCS
- Rack handle 2 PCS
- Product fixed hand tighten the screws (M3) 32 PCS
- Handle screw (M4) 4 PCS

2. MIT Rack, fixed the rack handle in the MIT rack with fixed screw(M4)



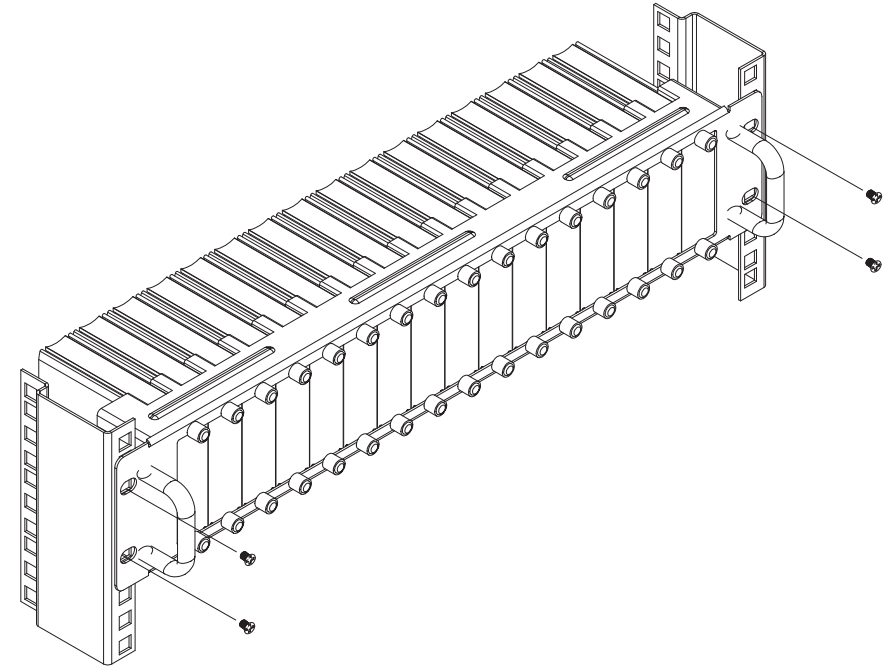
3. MIT products are inserted into the rack ,and fix (up to 16 roads) with product screw (Hand tighten screws M3).Figure



4. Place MIT rack Management on server rack, hang both sides of the ear holes on the hole in the rack, use screws to fix rack. Figure



Attention: Products don't contain fixed server rack screws and nuts .



Specification

Item	Description	
Function	Installation Number	16 Set
	Installation Standard	19" standard rack
	Height	2U(89mm)
Structure and properties	Load-bearing	>15kg
	Hangs	Available
	Supporting Product	Please see Page 1
Environment	Working Temperature	-20°C~55°C
	Storage Temperature	-40°C~70°C
	Humidity	0~95%
Property	Size	520mm×120mm×89mm
	Shell	Iron
	Color	Black
	N.W.	572g(with Hanger)

Specification change will not be noticed