

16 Gigabit PoE Ports Managed Ethernet Switch

16GE PoE+4*GF(SFP), Fast ring, 802.3af/at, Full Gigabit, L2 Managed, 6KV Lightning Protection

BRX572M-GE16-4GUP



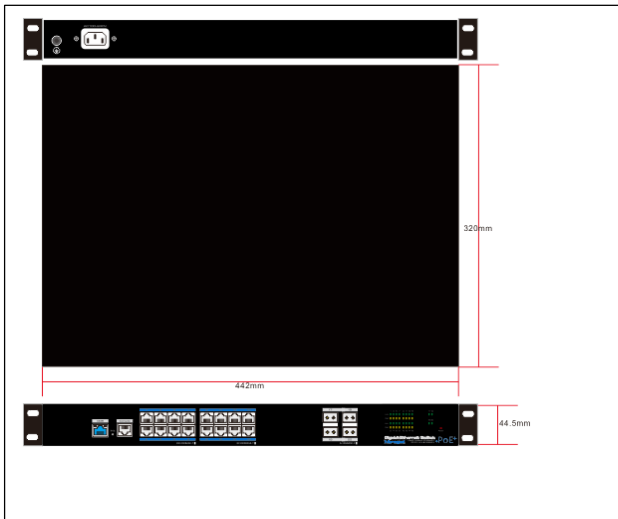
- 16* PoE Gigabit downlink RJ45 ports, 4* Gigabit uplink SFP ports
- Web-based layer 2 network management and PoE management via an intuitive interface
- High-speed data forwarding, ideal for large flow of video data forwarding in security surveillance
- Fast ring, Self-healing in 20ms Min
- Temperature-controlled fan
- Quick Installation, simple operation, convenient for wall/desk/rack installation



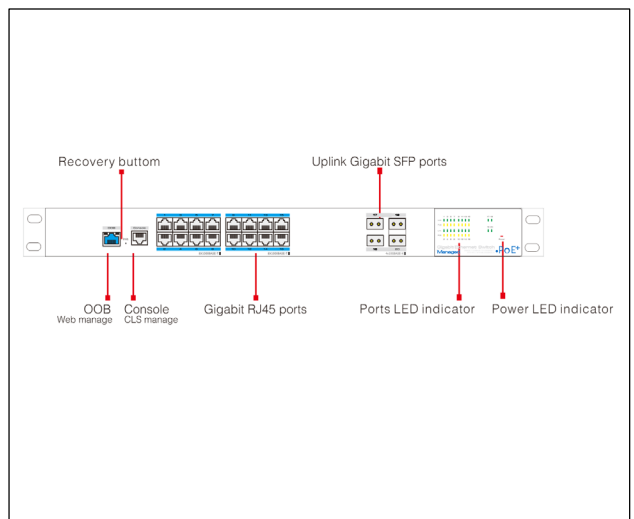
Introduction

The 16 Gigabit PoE ports managed Ethernet switch provides 16* PoE Gigabit downlink Ethernet ports and 4* Gigabit SFP uplink ports. The product supports IEEE 802.3 af/at, web layer-2 network management and PoE management. It is widely used in security surveillance, network engineering projects etc.

Physical Features



Interface drawing



Specifications

Hardware Specifications:

Feature	BRX572M-GE16-4GUP
Downlink Ports	16* 10/100/1000Base-T PoE RJ45(Auto-MDI/MDI-X)
SFP (Uplink) Ports	4*1000 Base-X SFP (Mini-GBIC)
Console Port	1*RJ45-R232 serial port (115200, 8, N, 1)
Out of Band Port	1*10/100 Base-TX RJ45 (only for Web management) default IP:192.168.1.200, username: admin password: admin)
Init button	Short press: restart >5s restore factory settings
Network Standards	IEEE802.3, IEEE802.3u, IEEE802.3ab, IEEE802.3Z, IEEE802.3X, IEEE 802.1Q IEEE 802.1p IEEE 802.3ad, IEEE 802.1D, IEEE 802.1X
Switch Fabric	40Gbps / non-blocking
Switch Throughput	29.8Mpps
Switch Architecture	Store and Forward
Shared Data Buffer	12Mbit
Address Table	16K MAC address table with auto learning function
Jumbo Frame	10K bytes
PoE Standards	802.3af/at(PSE)
PSE Type	End-span
Power Pin Assignment	1/2(+), 3/6(-)
PoE Power Output	54V DC, 30 watts max
PoE Budge	270 watts max
Lightning protection	6KV Execute : IEC61000-4-5
ESD	6KV Contact discharge 8KV Air discharge Execute : IEC61000-4-2
Power Supply	100~240VAC 50/60Hz, Auto-sensing
Power Dissipation	320W(Including PoE)
Work temperature	-10°C~50°C
Storage temperature	-40°C~85°C
Humidity	5%-95%(Non-condescending)
Dimension (L×W×H)	442mm×320mm×44.5mm
Weight	4.35kg
Certifications	CE, FCC, ROHS

Software Features	
Port Management	Port Enable/Disable
	Port Rate Settings
	Port Full-duplex Mode
	IEEE802.3x Flow Control
	Port Name Change
VLAN	4K VLAN
	802.1Q Protocol-Based VLAN
	Port-Based VLAN
QoS	8-Level Priority management for switching
	WRR
	820.1P and DSCP Priority
Multicast Management	SNMP V1/V2/V3 Protocol
	IGMP Snooping
POE Management	Total Power Consumption Control
	PoE ON/OFF
	Single Port 60W max. Power Change and Port Output Priority
Security	IP, MAC, Port, VLAN Combination and Binding
	MAC address auto-learning, aging & filter
	Port Isolation, Speed-Limit per port
	RSTP
	Fast-Ring
	5 groups of 8-Port trunks
	RADIUS Authentication& 802.1X Authentication
System Management & Maintenance	WEB Management, CLR Settings and telnet Settings
	CLR Settings
	FTP/TFTP/HTTP Web Upgrading
	Flow Calculation
	MAC address Form Search
	IP Address, DNS Server Change
	Username & Password Change
	History Record, Journal management
	System settings Backup

Package List

Designation	Quantity
BRX572M-GE16-4GUP	1
AC Power Line	1
Accessories	1
User Manual	1